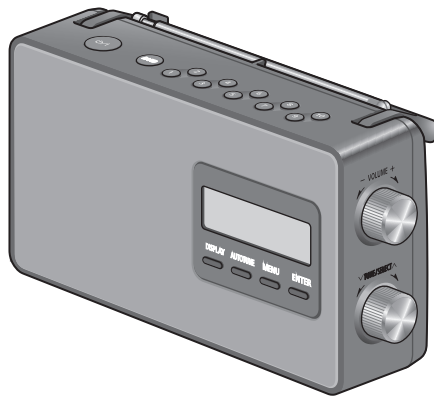


Panasonic®

Operating Instructions

DAB-FM Radio

Model No. **RF-D10**



Thank you for purchasing this product.

For optimum performance and safety, please read these instructions carefully.

Please keep this manual for future reference.

Panasonic Corporation
Web Site: <http://panasonic.net>

© Panasonic Corporation 2014

GN **En**

RQTN0174
L0114CH0

Safety precautions

WARNING!

Unit

- To reduce the risk of fire, electric shock or product damage,
 - Do not expose this unit to rain, moisture, dripping or splashing.
 - Do not place objects filled with liquids, such as vases, on this unit.
 - Use only the recommended accessories.
 - Do not remove covers.
 - Do not repair this unit by yourself. Refer servicing to qualified service personnel.

AC mains lead

- The mains plug is the disconnecting device. Install this unit so that the mains plug can be unplugged from the socket outlet immediately.

CAUTION!

Unit

- This unit may receive radio interference caused by mobile telephones during use. If such interference occurs, please increase separation between this unit and the mobile telephone.

Battery

- Danger of explosion if battery is incorrectly replaced. Replace only with the type recommended by the manufacturer.
- When disposing of the batteries, please contact your local authorities or dealer and ask for the correct method of disposal.
- Do not heat or expose to flame.
- Do not leave the battery(ies) in a car exposed to direct sunlight for a long period of time with doors and windows closed.
- Do not break open or short-circuit the battery.
- Do not charge the alkaline or manganese battery.
- Do not use the battery if the cover has peeled off.
- Remove the battery if you do not use the unit for a long period of time or if the unit is to be powered exclusively by AC power. Keep in a cool, dark area.

Small objects

- The knobs (e.g., [VOLUME] knob) can come off when pulled hard. To prevent children from swallowing the knob, do not pull it off.

This product incorporates the following software:

- (1) The software developed independently by or for Panasonic Corporation,
- (2) The software owned by third party and licensed to Panasonic Corporation, and/or
- (3) Open source software

The software categorized as (3) is distributed in the hope that it will be useful, but WITHOUT ANY WARRANTY, without even the implied warranty of MERCHANTABILITY or FITNESS FOR A PARTICULAR PURPOSE. Please refer to the detailed terms and conditions thereof shown below.

This software is copyright 2008 Simon Tatham.

Permission is hereby granted, free of charge, to any person obtaining a copy of this software and associated documentation files (the "Software"), to deal in the Software without restriction, including without limitation the rights to use, copy, modify, merge, publish, distribute, sublicense, and/or sell copies of the Software, and to permit persons to whom the Software is furnished to do so, subject to the following conditions:

The above copyright notice and this permission notice shall be included in all copies or substantial portions of the Software.

THE SOFTWARE IS PROVIDED "AS IS", WITHOUT WARRANTY OF ANY KIND, EXPRESS OR IMPLIED, INCLUDING BUT NOT LIMITED TO THE WARRANTIES OF MERCHANTABILITY, FITNESS FOR A PARTICULAR PURPOSE AND NONINFRINGEMENT. IN NO EVENT SHALL THE COPYRIGHT HOLDERS BE LIABLE FOR ANY CLAIM, DAMAGES OR OTHER LIABILITY, WHETHER IN AN ACTION OF CONTRACT, TORT OR OTHERWISE, ARISING FROM, OUT OF OR IN CONNECTION WITH THE SOFTWARE OR THE USE OR OTHER DEALINGS IN THE SOFTWARE.

Supplied accessories

Check and identify the supplied accessories.

- 1 AC mains lead

- If you see this symbol -

Information on Disposal in other Countries outside the European Union



This symbol is only valid in the European Union.

If you wish to discard this product, please contact your local authorities or dealer and ask for the correct method of disposal.

Troubleshooting

General

Sound is distorted or no sound.

- Adjust the volume.
- Check and adjust the antenna.
- Move the unit to another location and do a full scan again.
- An AC mains lead or fluorescent light is near the cables. Keep other appliances and cords away from the cables of this unit.

Reception is poor or beat sound is heard.

- Keep the antenna away from computers, TVs, other cables and cords. Move mobile telephones away from the unit if the interference is apparent.

Messages

“Service not available”

- No DAB reception.

“No DAB station”

- No DAB station available.
- Check the antenna.
- Move the unit to another location and do a full scan again.

“Time Not saved”

- The changes made to the time was not saved, the changes will be lost.

“Alarm Not saved”

- The changes made to the alarm was not saved, the changes will be lost.

Specifications

Power supply

AC	AC 230 V to 240 V, 50 Hz
Battery	DC 6 V (4 x R14/LR14, C)

Power consumption

7 W

Frequency range

FM	87.50 MHz to 108.00 MHz (50 kHz steps)
DAB/DAB+ BAND III	5A to 13F (174.928 MHz to 239.200 MHz)

Terminal

Headphones	Stereo, 3.5 mm jack (16 Ω)
------------	----------------------------

Speaker

Full range	10 cm (4 Ω)
------------	-------------

Output power

2 W (RMS 10% THD)

Battery life

Power source	Manganese R14 battery	Alkaline LR14 battery
FM	Approx. 9 H	Approx. 30 H
DAB/DAB+	Approx. 12 H	Approx. 40 H

Dimensions (W x H x D) 251 mm x 138 mm x 91 mm

Mass

With batteries	1.3 kg
Without batteries	1.0 kg

Operating temperature range

0°C to +40°C

Operating humidity range

35% to 80% RH (no condensation)

Power consumption in standby mode

0.6 W (approximate)

Note:

Specifications are subject to change without notice. Mass and dimensions are approximate.

Limited Warranty

Panasonic Warranty

1. The product is warranted for 12 months from the date of purchase. Subject to the conditions of this warranty Panasonic or its Authorised Service Centre will perform necessary service on the product without charge for parts or labour, if in the opinion of Panasonic, the product is found to be faulty within the warranty period.
2. This warranty only applies to Panasonic products purchased in Australia and sold by Panasonic Australia or its Authorised Distributors or Dealers and only where the products are used and serviced within Australia or its territories. Warranty cover only applies to service carried out by a Panasonic Authorised Service Centre and only if valid proof of purchase is presented when warranty service is requested.
3. This warranty only applies if the product has been installed and used in accordance with the manufacturer's recommendations (as noted in the operating instructions) under normal use and reasonable care (in the opinion of Panasonic). The warranty covers normal domestic use only and does not cover damage, malfunction or failure resulting from use of incorrect voltages, incorrect installation, accident, misuse, neglect, build-up of dirt or dust, abuse, maladjustment of customer controls, mains supply problems, thunderstorm activity, infestation by insects or vermin, tampering or repair by unauthorised persons (including unauthorised alterations), introduction of sand, humidity or liquids, commercial use such as hotel, office, restaurant, or other business or rental use of the product, exposure to abnormally corrosive conditions or any foreign object or matter having entered the product.
4. This warranty does not cover the following items unless the fault or defect existed at the time of purchase:
 - (a) Cabinet Part(s)
 - (b) Video or Audio Tapes
 - (c) SD cards or USB devices
 - (d) User replaceable Batteries
 - (e) DVD, Blu-ray or Recordable Discs
 - (f) Video / Audio Heads from wear and tear in normal use
 - (g) Information stored on Hard Disk Drive, USB stick or SD card
 - (h) DTV reception issues caused by TV Aerial / Cabling / Wall socket(s) etc
5. Some products may be supplied with Ethernet connection hardware. The warranty is limited on such products and will not cover
 - (a) Internet and or DLNA connection / setup related problems
 - (b) Access fees and or charges incurred for internet connection
 - (c) The use of incompatible software or software not specifically stipulated in the product operations manual; and
 - (d) Any indirect or consequential costs associated with the incorrect use or misuse of the hardware, its connection to the internet or any other device.
6. To claim warranty service, when required, you should:
 - Telephone Panasonic's Customer Care Centre on 132600 or visit our website referred to below and use the Service Centre Locator for the name/address of the nearest Authorised Service Centre.
 - Send or take the product to a Panasonic Authorised Service Centre together with your proof of purchase receipt as a proof of purchase date. Please note that freight and insurance to and / or from your nearest Authorised Service Centre must be arranged by you.
 - Note that home or pick-up/delivery service is available for the following products in the major metropolitan areas of Australia or the normal operating areas of the nearest Authorised Service Centres:
 - Plasma/LCD televisions / displays (screen size greater than 103 cm)
7. The warranties hereby conferred do not extend to, and exclude, any costs associated with the installation, de-installation or re-installation of a product, including costs related to the mounting, de-mounting or remounting of any screen, (and any other ancillary activities), delivery, handling, freighting, transportation or insurance of the product or any part thereof or replacement of and do not extend to, and exclude, any damage or loss occurring by reason of, during, associated with, or related to such installation, de-installation, re-installation or transit.

Panasonic Authorised Service Centres are located in major metropolitan areas and most regional centres of Australia, however, coverage will vary dependant on product. For advice on exact Authorised Service Centre locations for your product, please telephone our Customer Care Centre on 132600 or visit our website and use the Service Centre Locator.

In addition to your rights under this warranty, Panasonic products come with consumer guarantees that cannot be excluded under the Australian Consumer Law. If there is a major failure with the product, you can reject the product and elect to have a refund or to have the product replaced or if you wish you may elect to keep the goods and be compensated for the drop in value of the goods. You are also entitled to have the product repaired or replaced if the product fails to be of acceptable quality and the failure does not amount to a major failure.

If there is a major failure in regard to the product which cannot be remedied then you must notify us within a reasonable period by contacting the Panasonic Customer Care Centre. If the failure in the product is not a major failure then Panasonic may choose to repair or replace the product and will do so in a reasonable period of time from receiving notice from you.

**THIS WARRANTY CARD AND THE PURCHASE DOCKET (OR SIMILAR PROOF OF PURCHASE)
SHOULD BE RETAINED BY THE CUSTOMER AT ALL TIMES**

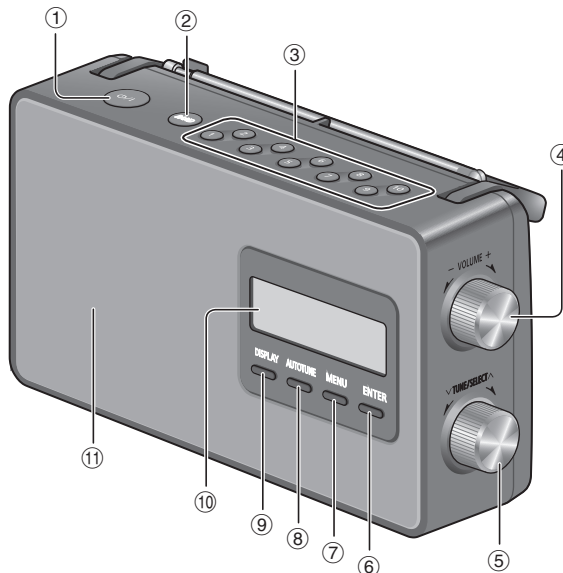
If you require assistance regarding warranty conditions or any other enquiries, please visit the **Panasonic Australia** website www.panasonic.com.au or contact by phone on **132 600**
If phoning in, please ensure you have your operating instructions available.

Panasonic Australia Pty. Limited

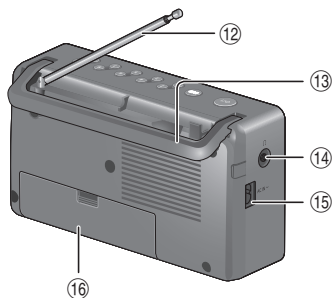
ACN 001 592 187 ABN 83 001 592 187
1 Innovation Road, Macquarie Park NSW 2113

Overview of controls

Front view



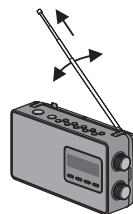
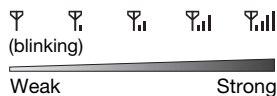
Rear view



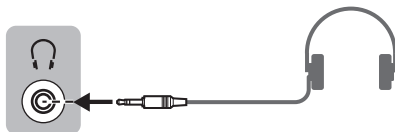
- ① **Standby/on switch** [⏻/⏻]
Press to switch the unit from on to standby mode or vice versa. In standby mode, the unit is still consuming a small amount of power.
- ② Select FM or DAB radio
- ③ Direct preset buttons
- ④ Adjust the volume
- ⑤ Select desired frequency in manual tuning
View available options
- ⑥ Confirm an option
- ⑦ View available menu
- ⑧ Auto tuning for FM stations
- ⑨ View available information
- ⑩ Display panel
- ⑪ **Speaker (monaural)**
The speaker does not have magnetic shielding. Do not put this unit near TVs, PCs or other equipment easily influenced by magnetism.

- ⑫ **Antenna**
Extend the antenna, adjust the length, angle and direction for best reception.

Signal strength indicator



- ⑬ Handle
- ⑭ **Headphones jack**



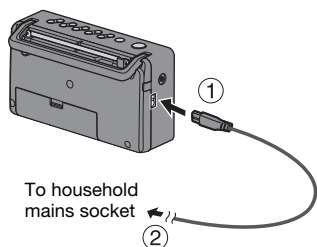
- Plug type: Ø 3.5 mm stereo (not supplied)
- Excessive sound pressure from earphones and headphones can cause hearing loss.
 - Listening at full volume for long periods may damage the user's ears.

- ⑮ AC IN terminal
- ⑯ Battery compartment

Power sources

Using the household mains socket

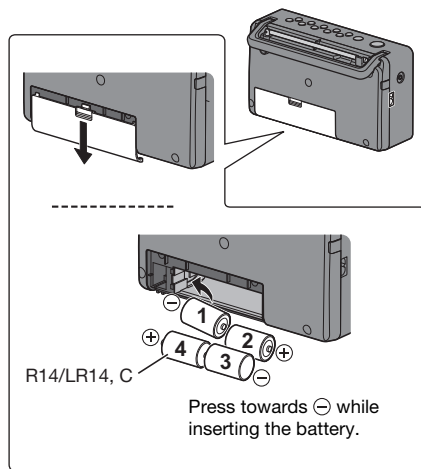
Connect the AC mains lead firmly to the unit and the household mains socket.



Note:

- Do not use an AC mains lead from other equipment.
- This unit consumes a small amount of power when it is in standby mode. Disconnect the power supply if you do not use the unit.

Using the batteries (not supplied)



Use alkaline or manganese batteries.

Install the batteries so that the poles (+ and -) align with those in the unit.

This unit will use the batteries as the power source when you disconnect the AC mains lead. The battery indicator will light up.

The battery indicator shows the battery levels.



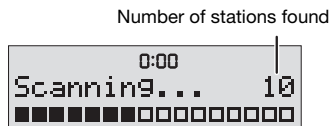
Note:

- The unit switches on after you insert the batteries.
- When the battery indicator “” begins flashing, replace all 4 of the batteries.
- After the battery indicator flashes for 10 seconds, the unit will switch off automatically.

Getting started

- 1 Extend the antenna.
- 2 Press **[P/I]** to switch on the unit.

The first time you switch on the unit, it will enter DAB mode and automatically scan for stations. It sets the time and date (if data is available) and starts playing the first station it finds.



Note:

In standby mode, the unit shows the time and date (only when the unit is powered by AC).

DAB

DAB (Digital Audio Broadcasting) is a procedure of broadcasting the radio digitally. It gives less interference and better sound quality.

This unit supports DAB in “BAND III” bands.

DAB operation

The first time you enter DAB mode, or if the station list is empty, the unit will start the full scan and memorise the stations.

You can perform the full scan procedure when there is a new station or a station becomes available.

- 1 Press **[BAND]** to select “DAB”.
- 2 Press **[MENU]** to select “Full scan” and then press **[ENTER]** to start full scan.
To cancel, press **[MENU]**.

Remove unavailable listed stations

This unit indicates those stations that are closed or no longer available with a question mark in front of the station name. You can remove these stations from the station list.


- 1 Press **[MENU]** and then turn **[V TUNE/SELECT \wedge]** to select “Prune”.
- 2 Press **[ENTER]**.
- 3 Turn **[V TUNE/SELECT \wedge]** to select “Yes” and then press **[ENTER]**.
To cancel, select “No”.



Listening to a station

- 1 Turn [V TUNE/SELECT ^] to select a station from the station list.
- 2 Press [ENTER] to tune to the selected station.

Note:

“” indicates a secondary service station. Secondary service stations are always listed next to their primary station in the station list.

Presetting stations

You can preset up to 10 stations into the direct preset buttons.

- 1 While listening to a station, press and hold the desired direct preset button ([1] to [10]).
Example: press and hold [2] to store current station into preset 2.



Press ENTER key
Preset 2

- 2 Press [ENTER] to preset the station.

■ Listening to a preset station

Press the direct preset button ([1] to [10]) to listen to the preset station.

Manual tuning

You can perform manual tuning to a particular channel or frequency. This can be useful when you are adjusting the antenna to achieve the best possible reception and scanning a particular channel to update the station list.

- 1 Press [MENU].
- 2 Turn [V TUNE/SELECT ^] to select “Manual tune” and then press [ENTER].
- 3 Turn [V TUNE/SELECT ^] to select a frequency or channel and then press [ENTER].
The display shows the received signal strength of the selected frequency. Adjust the antenna to achieve the best reception.



5A 174.928MHz
■■■■■□■■■■■■■■■■■■■■■■■■

threshold indicator

Adjust the antenna so that the received signal strength (solid rectangles) exceeds the threshold indicator.

Viewing available information

You can view various information about the DAB broadcast such as dynamic label information (if available), signal strength, program type, ensemble name, channel number, bit rate, DAB variant and date.

Press [DISPLAY] to view available information.
Press and hold [DISPLAY] to show the default display.

FM radio

- 1 Press [BAND] to select “FM”.
- 2 Press [AUTOTUNE] to tune to a station.



87.55MHz
Scanning...

The unit stops tuning when it finds a station. Press [AUTOTUNE] again to tune to the next station.

Manual tuning

Turn [V TUNE/SELECT ^] to tune to the required station.

Presetting stations

You can preset up to 10 stations into the direct preset buttons.

The first five stations are preset with a default frequency for your convenience.

- 1 While listening to a station, press and hold the desired direct preset button ([1] to [10]).
- 2 Press [ENTER] to preset the station.

■ Listening to a preset station

Press the direct preset button ([1] to [10]) to listen to the preset station.

Viewing available information

You can view the information of the radio station such as frequency and date.

Press [DISPLAY].

System settings

To view the System menu

When in DAB mode

- 1 Press [MENU].
- 2 Turn [V TUNE/SELECT ^] to select “System” and then press [ENTER].

When in FM mode

Press [MENU].

To navigate around the menu

Turn [V TUNE/SELECT ^] to select an item or option. Press [ENTER] to confirm.

Example: Backlight setting displays



Indicates current setting

Alarm	<p>The Alarm Wizard is shown.</p> <ul style="list-style-type: none"> • Alarm: On, Off Select “On” to switch on the alarm. • On time: Set the hours and minutes of start time. • Source: Buzzer, DAB, FM Set the audio source. If FM or DAB is set, select the last station you tuned in to (“Last listened”) or a preset station as the audio source. • Set the volume The alarm starts at a low volume and increases gradually to the preset level. “☺” is shown after you set the alarm. <p>Note:</p> <ul style="list-style-type: none"> • The alarm does not work when the unit is powered by batteries. • Check that the date and time are set correctly, or else the alarm may not work as desired. • The alarm will come on at the set time every day for a duration of 90 minutes. Press any button or turn any knob to stop the alarm. • You need to set the alarm again every time you disconnect and connect the AC power, or after you replace the batteries.
Sleep	<p>The sleep timer switches off the unit after the set time (in minutes). Sleep Off, 30 minutes, 60 minutes, 90 minutes, 120 minutes “SLEEP” is shown.</p>
Equaliser	<p>Flat, Heavy, Soft, Clear, Vocal “EQ” is shown.</p>
Time	<p>The time and date information are updated automatically with the DAB/RDS broadcast (if available). You can also set the time and date manually with the Time menu. This is a 24 hour clock.</p> <ul style="list-style-type: none"> • Set time: Set the hours and minutes. • Set date: Set the day, month and year.
Backlight	<ul style="list-style-type: none"> • 10 sec: The backlight switches off after 10 seconds of inactivity. • On: The backlight is always on.
Language	<p>You can change the language for the display panel. English, Italiano, Deutsch, Français</p>
Factory Reset	<p>Yes, No Select “Yes” to reset the unit to factory default setting.</p>